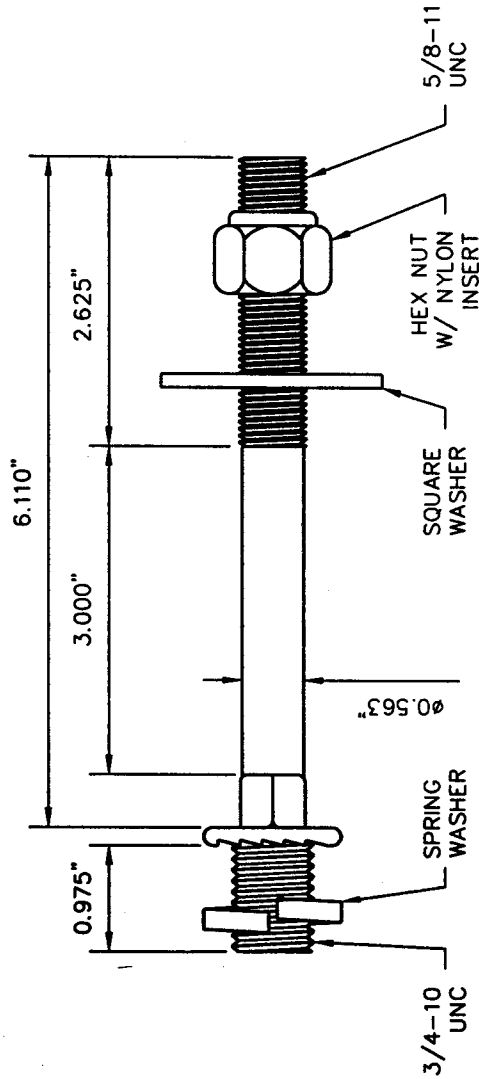
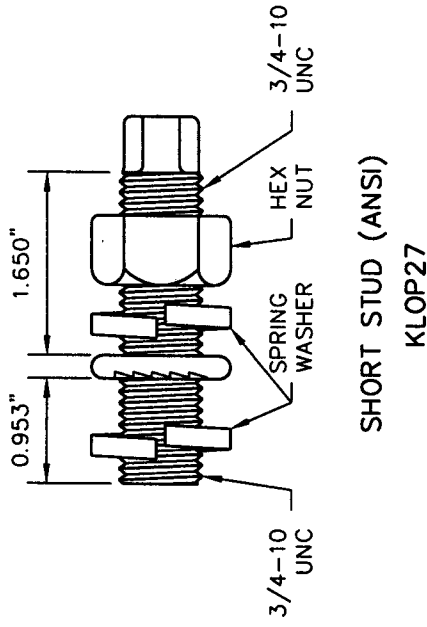


DMP-1210H 8.875" STUD
KLOP32B



DMP-1210H 7.25" STUD
KLOP32



SHORT STUD (ANSI)
KLOP27

1	MAR. 10, 2003	SQUARE NUT WAS HEX NUT WITH NYLON INSERT & CONCAVE LOCK NUT ADDED TO KLOP32B.	P.H.	737	G.S.
2	JULY 24, 1998	NEW RELEASE.	P.H.	277	G.S.
REV.	DATE	REVISIONS	BY	ECO #	APPD.



K-LINE INSULATORS LIMITED
50 PASSMORE AVENUE, TORONTO, ONTARIO
M1V 4T1, TEL.: (416) 292-2008

APPD. BY: G.S.	CUSTOMER:
CHKD. BY: G.S.	
DRN. BY: P.H.	
DATE: JULY 24, 1998	TITLE:
SCALE: 1 : 1.75	
DWG. No.: CAT67	REV. 1

STUDS