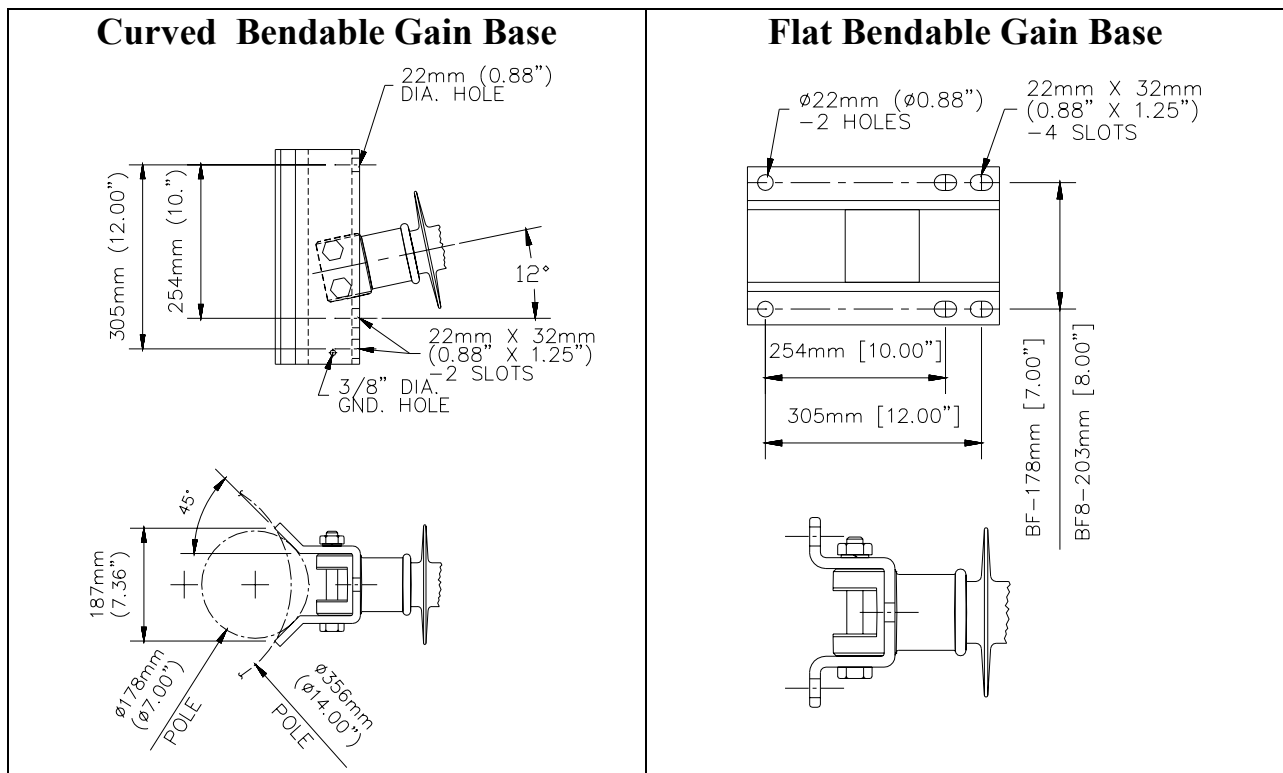
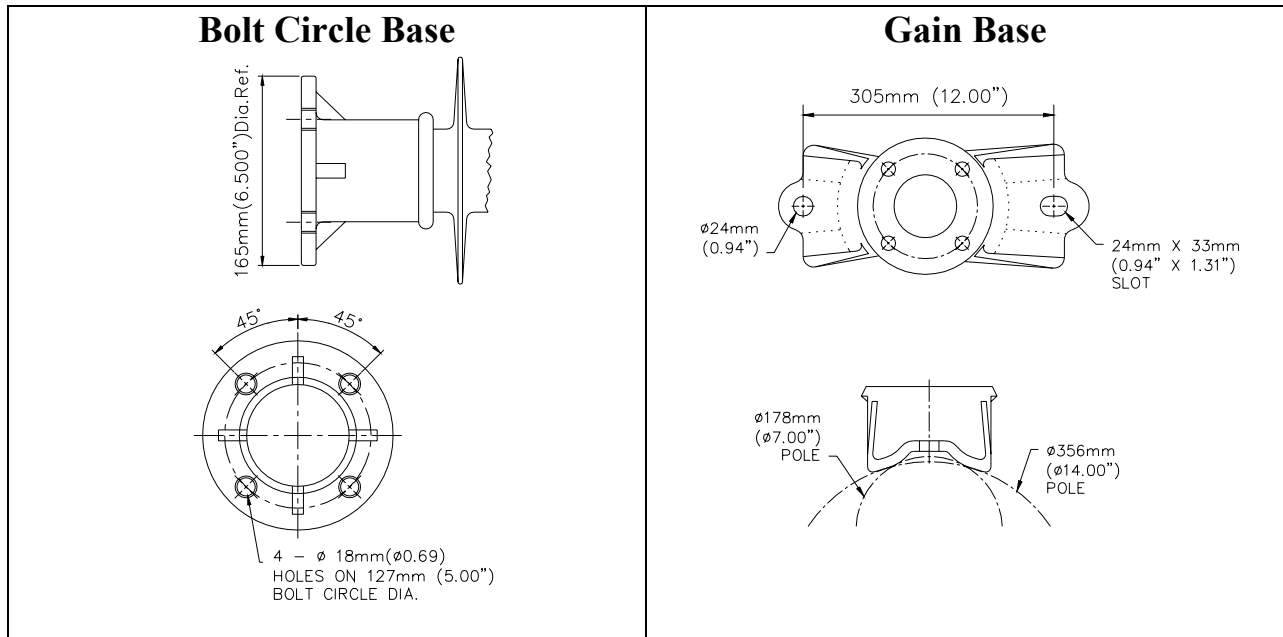


BASE END FITTINGS

K-Line transmission line post insulators are available in four different base mounting configurations: flat bolt circle base, gain base, bendable gain base, or flat bendable gain base.

Corrosion protection of the steel or iron end fittings is provided by hot-dip galvanizing to CSA G164 and ASTM A153 specifications.

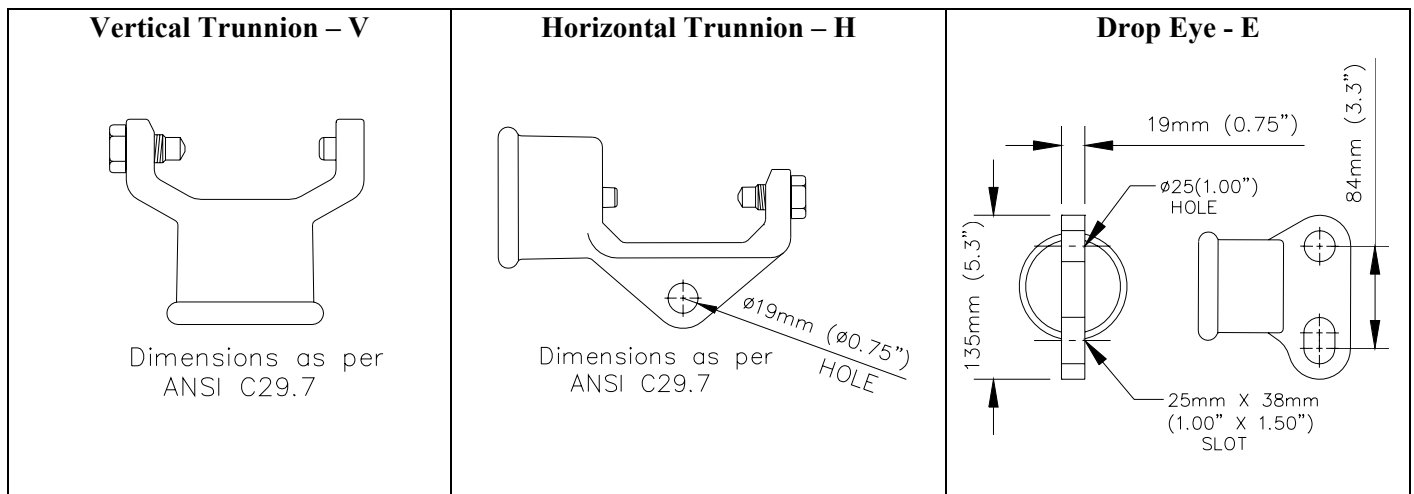
The standard base end fittings that are available are listed and detailed in the table below. For other special base end fittings contact K-Line Insulators Limited.



LINE END FITTINGS

K-Line transmission line post insulators are available with one of the following fittings: vertical trunnion, horizontal trunnion or drop eye. The vertical and horizontal trunnions accommodate a bolted conductor clamp. The drop eye is designed for a conductor suspension clamp. The horizontal trunnion and drop eye line end fittings have an additional eye for the attachment of other devices during installation or maintenance activities. All line end fittings are made of corrosion resistant steel.

The line end fittings are radially swaged on to the core rod to provide the mechanical performance and reduce the stress concentration. This along with our proprietary design insures a watertight seal between the rubber and end fitting. This special silicone rubber to metal fittings sealing process along with the sheath bond to the fiberglass prevents moisture ingress. For other special line fittings please contact K-Line Insulators Limited.



ORDERING INFORMATION

For ordering the catalog number of the specific insulator is formulated as shown below.

Cat. No. KL115ASH25

Voltage class _____ | _____ | No. of sheds

Line End Fitting Designation (See Line End Fittings)



K-LINE INSULATORS LIMITED

50 Passmore Avenue, Toronto, Ontario, Canada M1V 4T1

• Tel.: (416) 292-2008 • Fax: (416) 292-2094 • E-Mail: insulators@k-line.net • Web Page: www.k-line.net